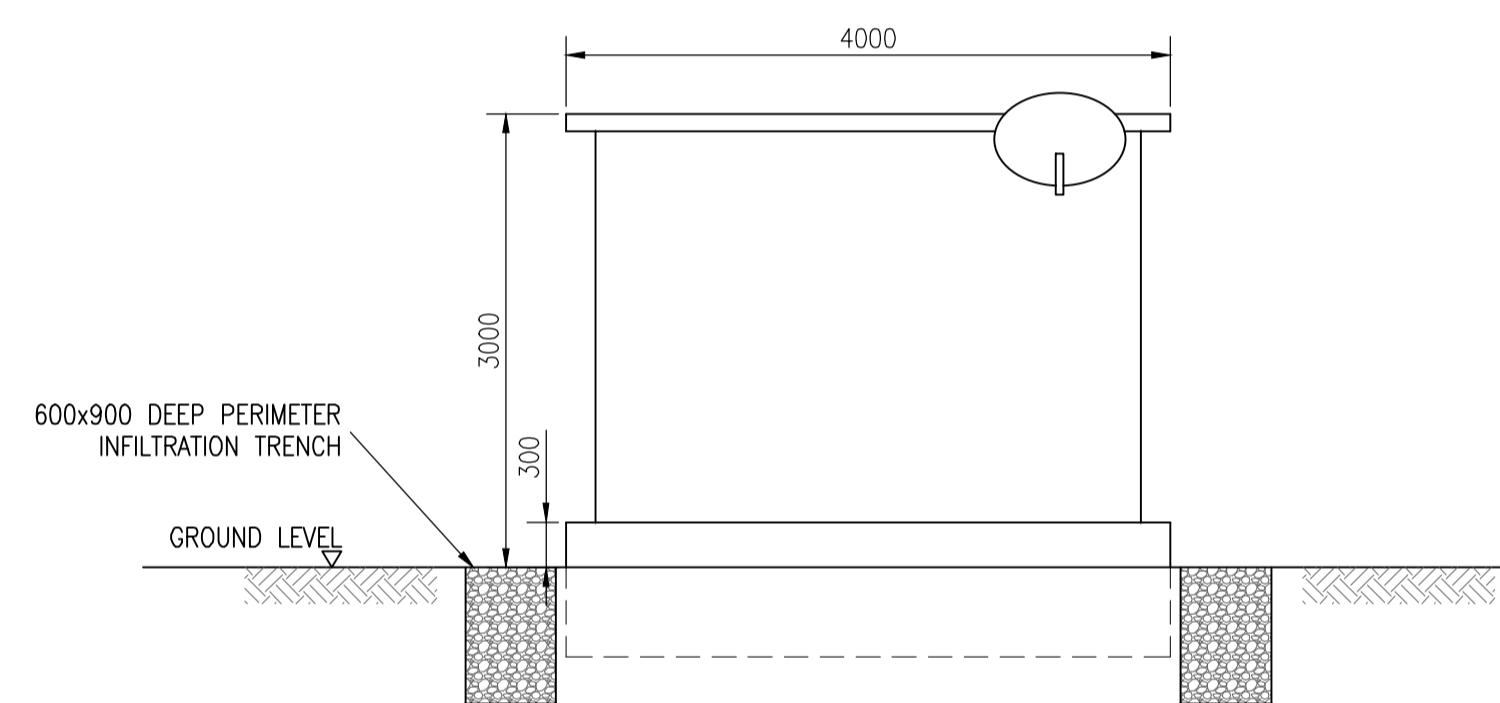
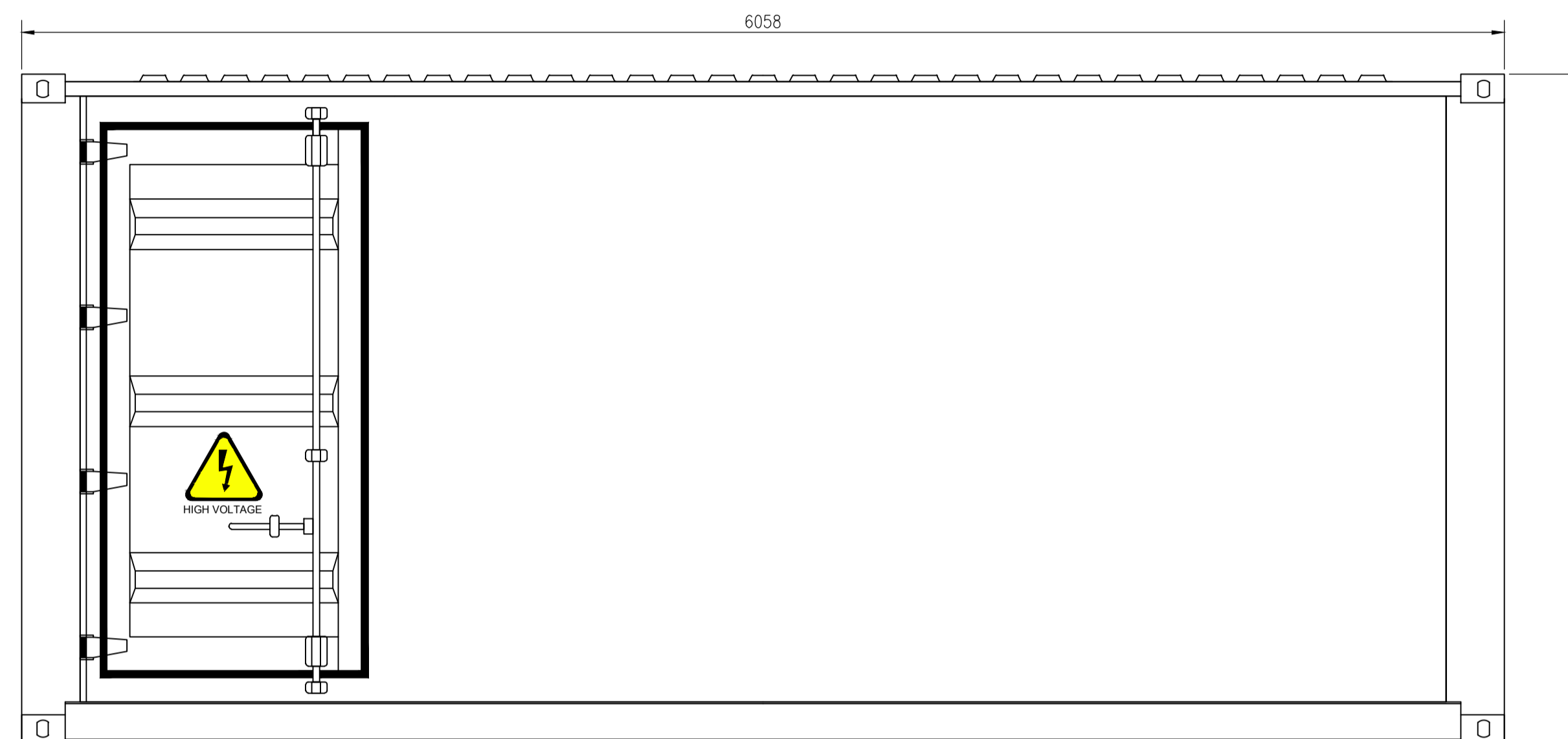


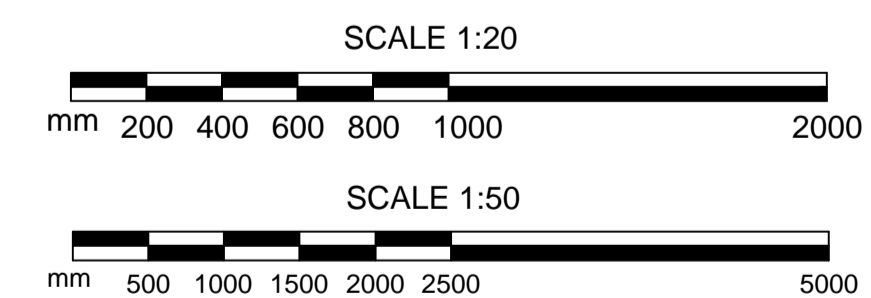
**CONTROL BUILDING FRONT ELEVATION**  
(SCALE 1:50)



**CONTROL BUILDING SIDE ELEVATION**  
(SCALE 1:50)



**BATTERY UNIT FRONT ELEVATION**  
(SCALE 1:20)



Rev.	Date	Description	Drawn	Checked	Approved

Client:



Project Title:

BEINNEUN 2 WIND FARM

Drawing Title:

TYPICAL CONTROL BUILDING  
AND BESS ELEVATIONS



4<sup>th</sup> Floor, 300 Bath Street,  
GLASGOW, G2 4JR  
Tel: 0141 204 8800 www.fairhurst.co.uk

Scale at A1: AS SHOWN Status: Planning

Drawn: KAB	Checked: SJGS	Approved: SJGS
Date: 08/07/25	Date: 09/07/25	Date: 09/07/25

Drawing No.: Revision:

Figure 4.8 -